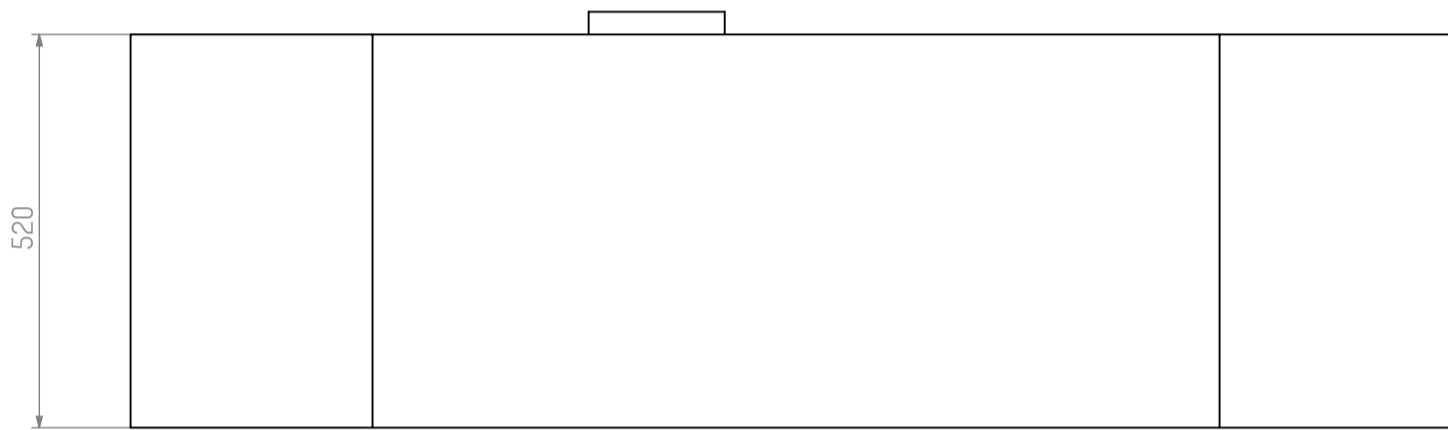
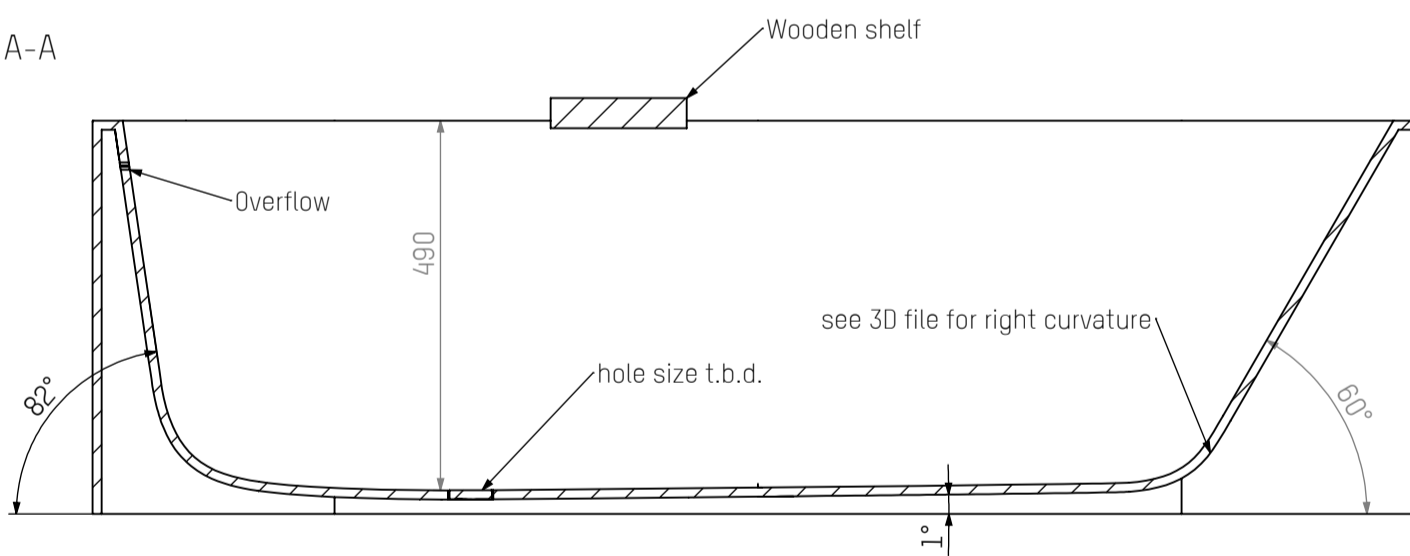


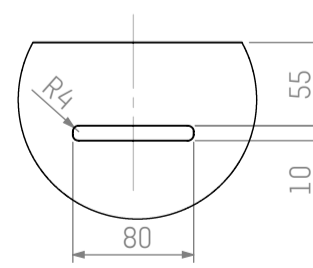
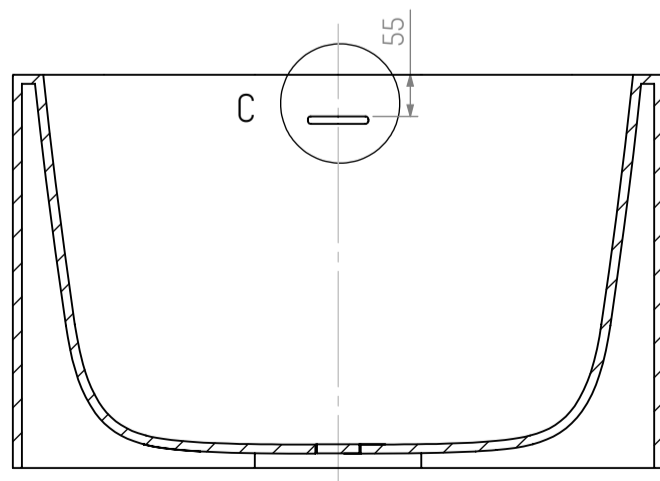
Side



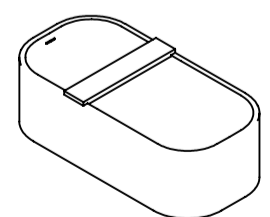
Section A-A



Section B-B



Detail C - Overflow  
Scale 1 : 5



20200421  
Studio Piet Boon

Bathtub in SolidSurface  
R01

Scale 1:10  
Units: mm