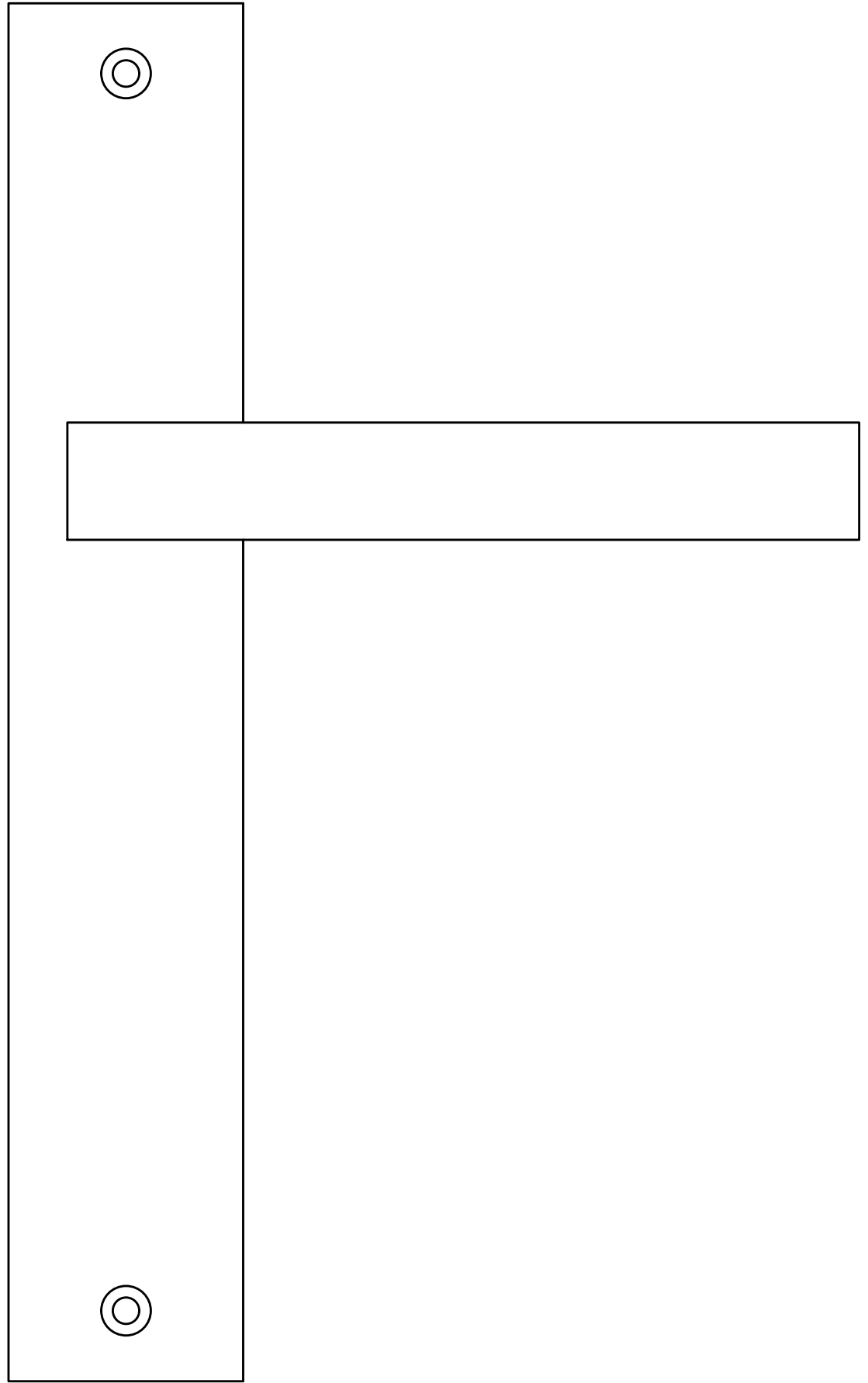


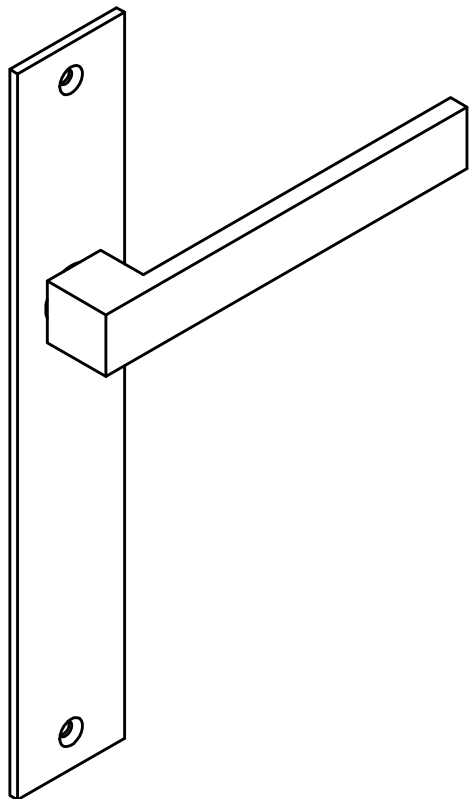
235

3 23



81,5

40



26

3



6

135

145

FORMANI®

Part number:
2501D002 CBF LSQICBP236SFC V01

Description:

Format:

Doc no.: 2501D002 CBF LSQICBP236SFC V01.dwg

LSQICBP236SFC

A3

Drawn by: Christian

Creation date: 18-7-2012